

Insulated Enclosures for Surface Mounting of Frame B (0.1–32A) XTPR Rotary Manual Motor Protectors—North American Usage ^③

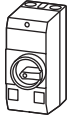


| Degree of Protection | For Use with... | Description | Catalog Number |
|------------------------|---|--|----------------------|
| IP55 NEMA 1, 12, 3R | Frame B XTPR only or with: XTPAXSA_ and XTPAXFA_ XTPAXUVR_ and XTPAXFA_ XTPAXSR_ and XTPAXFA_ XTPAXCL | With black/gray rotary handle | XTPAXENAS55B |
| | | With red/yellow rotary handle for use as emergency-stop switch to VDE 0113 | XTPAXENAS55RY |

Insulated Enclosures for Surface Mounting of Frame B XTPR (0.1–32A) Rotary Motor-Protective Circuit Breakers with XTPAXFAEM20 Early-Make Front-Mount Auxiliary Contact—Global Usage



| Degree of Protection | For Use with... | Description | Catalog Number |
|----------------------|---|--|------------------------|
| IP65 | Frame B XTPR and XTPAXFAEM20 only or with: XTPAXFA_ XTPAXSA_, XTPAXSATR_ XTPAXUVR_, XTPAXSR_ XTPAXCL | With black/gray rotary handle | XTPAXENCSEM65B |
| IP65 | | With red/yellow rotary handle for use as emergency-stop switches to IEC/EN 60204 | XTPAXENCSEM65RY |



| | | | |
|------|---|--|------------------------|
| IP55 | Frame B XTPR and XTPAXFAEM20 only or with: XTPAXFA_ XTPAXUVR_, XTPAXSR_ XTPAXCL | With black/gray rotary handle | XTPAXENCSEM55B |
| IP55 | | With red/yellow rotary handle for use as emergency-stop switches to IEC/EN 60204 | XTPAXENCSEM55RY |

Insulated Enclosures for Surface Mounting of Frame B XTPR (0.1–32A) Rotary Manual Motor Protectors with XTPAXFAEM20 Early-Make Front-Mount Auxiliary Contact—North American Usage ^④



| Degree of Protection | For Use with... | Description | Catalog Number |
|------------------------|--|--|------------------------|
| IP55 NEMA 1, 12, 3R | Frame B XTPR only or with: XTPAXSA_, XTPAXUVR_ XTPAXCL | With black/grey rotary handle | XTPAXENASEM55B |
| | | With red/yellow rotary handle for use as emergency-stop switch to VDE 0113 | XTPAXENASEM55RY |

Insulated Enclosures for Flush Mounting of Frame B (0.1–32A) XTPR Rotary Manual Motor Protectors—Global Usage ^⑤



| Degree of Protection | For Use with... | Description | Catalog Number |
|----------------------|--|---|--------------------|
| Front IP40 | Frame B XTPR only or with: XTPAXSA_, XTPAXUVR_ XTPAXSR_, XTPAXCL | Cover with aperture dimensioned to accommodate front of MMP | XTPAXENCF40 |



| | | | |
|------------|--|--|----------------------|
| Front IP55 | Frame B XTPR only or with: XTPAXSA_, XTPAXUVR_ XTPAXSR_, XTPAXFA_ XTPAXCL | With black/gray rotary handle | XTPAXENCF55B |
| | | With red/yellow rotary handle for use as emergency-stop switches to IEC/EN 60204 | XTPAXENCF55RY |

Insulated Enclosures for Surface Mounting of Frame D (10–65A) Rotary Motor-Protective Circuit Breakers



| Degree of Protection | For Use with... | Description | Catalog Number |
|-------------------------------|--|--|-----------------------|
| IP65 NEMA 1, 12, 3R, 4X | Frame D XTPR only or with: XTPAXFA_, XTPAXFAEM20, XTPAXSA_, XTPAXSATR_ XTPAXUVR_, XTPAXSR_ XTPAXCL | With black/gray rotary handle | XTPAXENCSD65B |
| | | With red/yellow rotary handle for use as emergency-stop switches to IEC/EN 60204 | XTPAXENCSD65RY |

Notes

- ① M25 metric cable entry knock-out, top and bottom. Cable push-through membrane, top and bottom, in the back plate and as a control line entry. Includes N and PE terminals.
- ② Integrated terminal for PE(N) connection, two M25 cable entry knockouts at the top and bottom.
- ③ Built-in N and PE terminal, lower part without knockouts.
- ④ Built-in N and PE terminal, lower part without knockouts.
- ⑤ Integrated terminal for PE(N) connection.

MMP Enclosure Accessories

XTPAXPL_



XTPR Manual Motor Protector Enclosure Padlock Attachment

| For Use with... | Description | Pkg. Qty. ^① | Catalog Number |
|---|--|------------------------|-----------------------|
| XTPAXENC565B, XTPAXENC565RY, XTPAXENCSEM65B, XTPAXENCSEM65RY, XTPAXENC555B, XTPAXENC555RY, XTPAXENCSEM55B, XTPAXENCSEM55RY | Padlocking feature. Up to three padlocks with 3–6 mm hasp thickness. For use as main switch to IEC/EN 60204 | 3 | XTPAXPL1 ^② |
| XTPAXENCSD65B, XTPAXENCSD65RY | | 1 | XTPAXPL2 ^② |
| XTPAXENC555B, XTPAXENC555RY | | 3 | XTPAXPL3 ^③ |

XTPAXNT



Neutral Terminal for Use with XTPB and Frame B XTPR Flush-Mount Enclosures

| For Use with... | Description | Pkg. Qty. ^① | Catalog Number |
|---|-------------------------------------|------------------------|----------------|
| XTPBXENCF40, XTPBXENCF55, XTPAXENCF40, XTPAXENCF55B, XTPAXENCF55RY | For connection of a fifth conductor | 20 | XTPAXNT |

XTPAXIL_

Indicating Lights with Neon Bulb ^④

| Color | Description— Indicating Light | Pkg. Qty. ^① | Catalog Number |
|-------|----------------------------------|------------------------|----------------|
| White | 110–230V | 10 | XTPAXILWB |
| | 230–400V | 10 | XTPAXILWN |
| | 415–500V | 10 | XTPAXILWC |
| Green | 110–230V | 10 | XTPAXILGB |
| | 230–400V | 10 | XTPAXILGN |
| | 415–500V | 10 | XTPAXILGC |
| Red | 110–230V | 10 | XTPAXILRB |
| | 230–400V | 10 | XTPAXILRN |

For use with XTPR and XTPB enclosures.

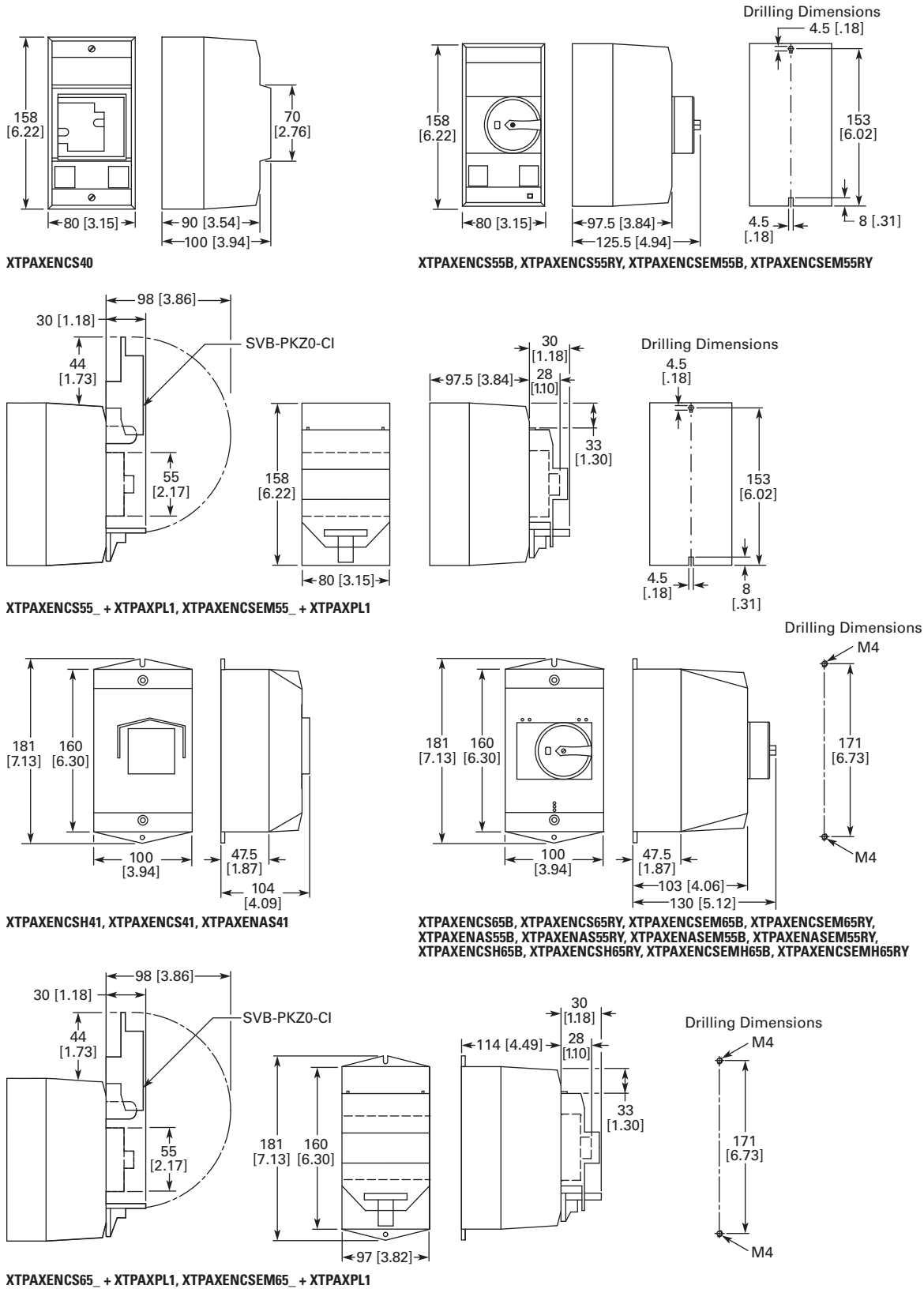
Lights do not carry individual IP or NEMA rating. All enclosure ratings remain valid when using indicating lights.

Notes

- ① Orders must be placed in multiples of package quantity listed.
- ② Lockable in the 0-position of the XTPR manual motor protector.
- ③ Lockable in the OFF position of the Frame B XTPR manual motor protector.
- ④ Product is not UL Listed/Registered.

Approximate Dimensions in mm [in]

Insulated Enclosures for Surface Mounting of XTPR...B Manual Motor Protectors



1.1

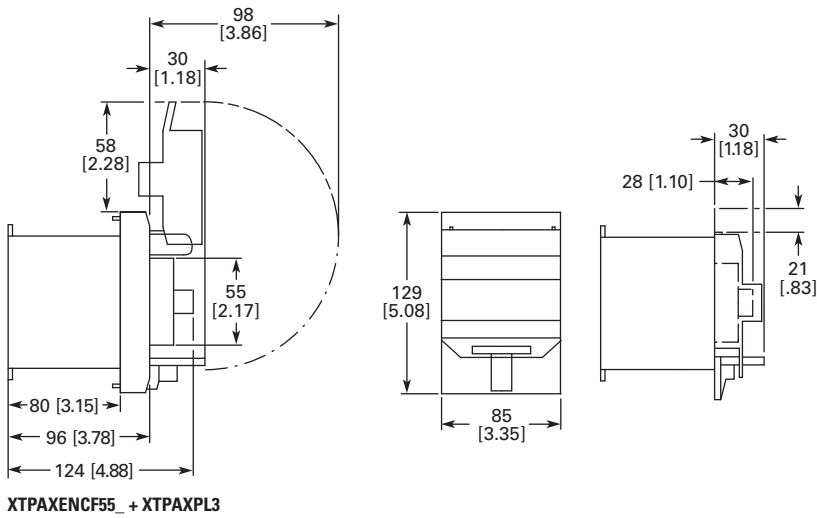
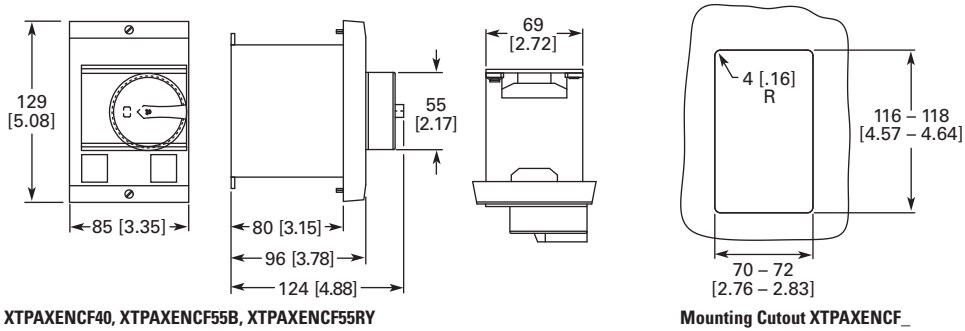
IEC Contactors and Starters

XT IEC Power Control

1

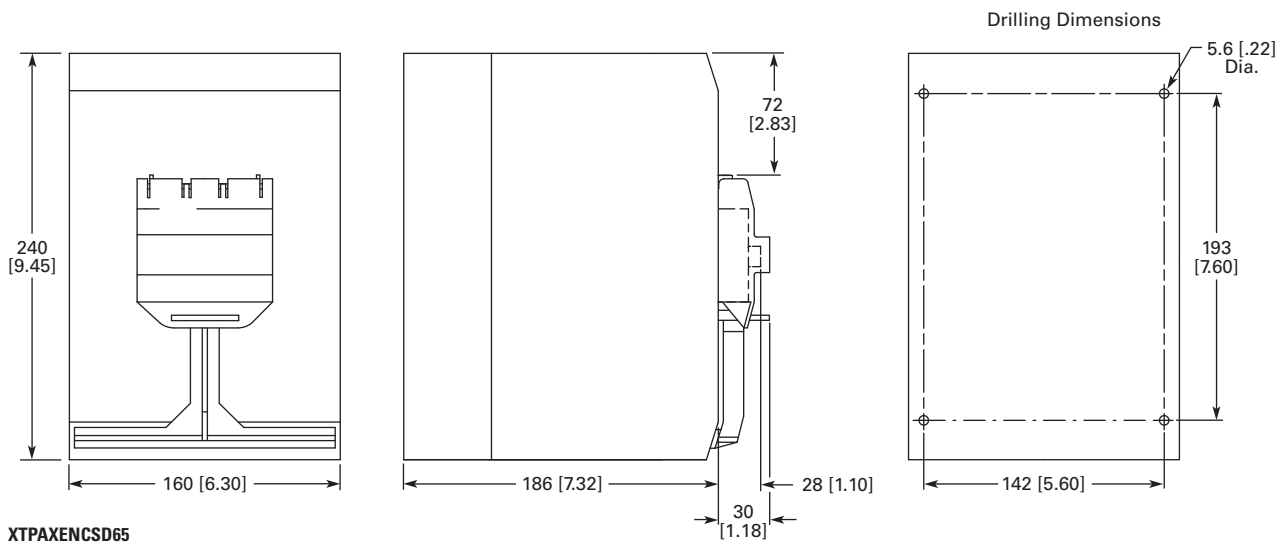
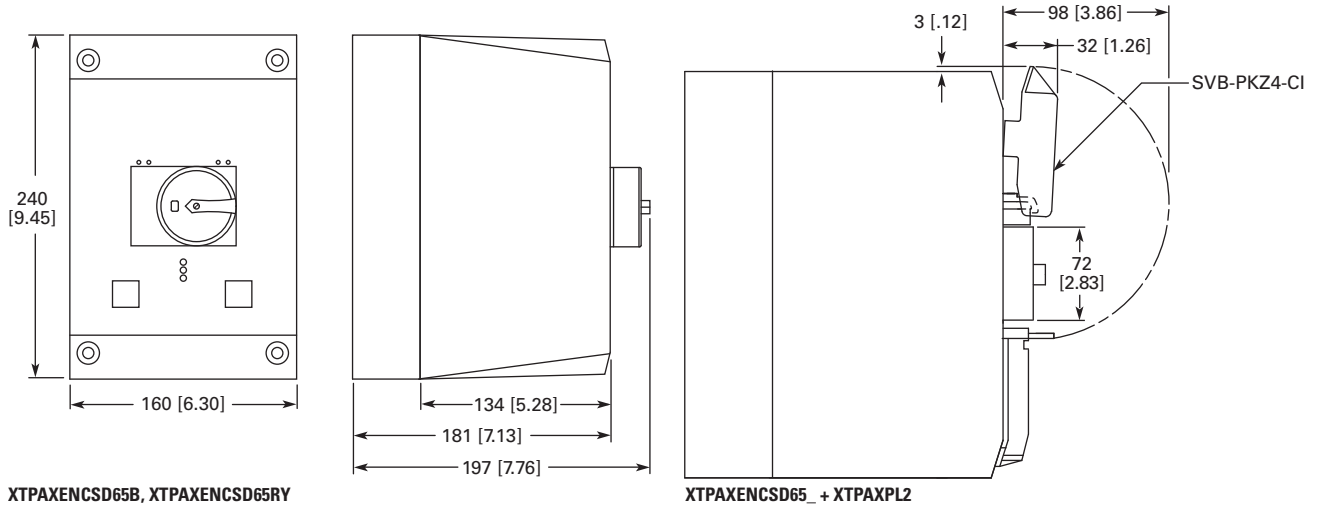
Approximate Dimensions in mm [in]

Insulated Enclosures for Flush Mounting of XTPR...B Manual Motor Protectors

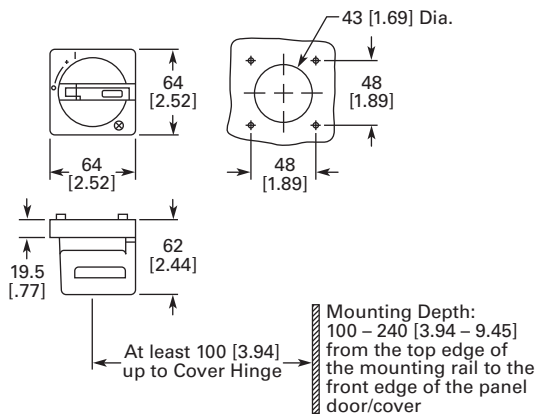


Approximate Dimensions in mm [in]

Insulated Enclosures for Surface Mounting of XTPR...D Manual Motor Protectors



Rotary Handle Mechanism—XTPAXRHM_



Approximate Dimensions in mm [in]

Pushbutton MMP Enclosures**Insulated Enclosures for Surface Mounting****XTPB Pushbutton Motor-Protective Circuit Breakers**

| Catalog Number | H x W x D |
|----------------------|--|
| Global Usage | |
| XTPBXENC540 | 158 x 80 x 116.5 [6.22 x 3.15 x 4.59] |
| XTPBXENC65 | 158 x 80 x 116.5 [6.22 x 3.15 x 4.59] |
| XTPBXENC5L065 | 158 x 80 x 129.5 [6.22 x 3.15 x 5.10] |
| XTPBXENC5LE65 | 158 x 80 x 129.5 [6.22 x 3.15 x 5.10] |
| XTPBXENC5ES65 | 158 x 80 x 177.2 [6.22 x 3.15 x 6.98] |
| XTPBXENC5EK65 | 158 x 80 x 177.2 [6.22 x 3.15 x 6.98] |

XTPB Pushbutton Manual Motor Protectors

| Catalog Number | H x W x D |
|-----------------------------|--|
| North American Usage | |
| XTPBXENAS41 | 158 x 80 x 116.5 [6.22 x 3.15 x 4.59] |
| XTPBXENAS65 | 158 x 80 x 116.5 [6.22 x 3.15 x 4.59] |
| XTPBXENASL065 | 158 x 80 x 129.5 [6.22 x 3.15 x 5.10] |
| XTPBXENASLE65 | 158 x 80 x 129.5 [6.22 x 3.15 x 5.10] |
| XTPBXENASES65 | 158 x 80 x 177.2 [6.22 x 3.15 x 6.98] |
| XTPBXENASEK65 | 158 x 80 x 177.2 [6.22 x 3.15 x 6.98] |

Frame B (0.1–32A) XTPR Motor-Protective Circuit Breakers

| Catalog Number | H x W x D |
|---------------------|--|
| Global Usage | |
| XTPAXENC541 | 160 x 100 x 104 [6.30 x 3.94 x 4.09] |
| XTPAXENC65B | 160 x 100 x 130 [6.30 x 3.94 x 5.12] |
| XTPAXENC65RY | 160 x 100 x 130 [6.30 x 3.94 x 5.12] |
| XTPAXENC540 | 158 x 80 x 100 [6.22 x 3.15 x 3.94] |
| XTPAXENC55B | 158 x 80 x 125.5 [6.22 x 3.15 x 4.94] |
| XTPAXENC55RY | 158 x 80 x 125.5 [6.22 x 3.15 x 4.94] |

Frame B (0.1–32A) XTPR Rotary Manual Motor Protectors

| Catalog Number | H x W x D |
|-----------------------------|---|
| North American Usage | |
| XTPAXENAS55B | 160 x 100 x 130 [6.30 x 3.94 x 5.12] |
| XTPAXENAS55RY | 160 x 100 x 130 [6.30 x 3.94 x 5.12] |

Frame B XTPR (0.1–32A) Rotary Motor-Protective Circuit Breakers with XTPAXFAEM20 Early-Make Front-Mount Auxiliary Contact

| Catalog Number | H x W x D |
|------------------------|---|
| Global Usage | |
| XTPAXENCSEM65B | 160 x 100 x 130 [6.30 x 3.94 x 5.12] |
| XTPAXENCSEM65RY | 160 x 100 x 130 [6.30 x 3.94 x 5.12] |
| XTPAXENCSEM55B | 158 x 80 x 100 [6.22 x 3.15 x 3.94] |
| XTPAXENCSEM55RY | 158 x 80 x 100 [6.22 x 3.15 x 3.94] |

Frame B XTPR (0.1–32A) Rotary Manual Motor Protectors with XTPAXFAEM20 Early-Make Front-Mount Auxiliary Contact

| Catalog Number | H x W x D |
|-----------------------------|---|
| North American Usage | |
| XTPAXENCSEM55B | 160 x 100 x 130 [6.30 x 3.94 x 5.12] |
| XTPAXENCSEM55RY | 160 x 100 x 130 [6.30 x 3.94 x 5.12] |

Frame D (10–65A) Rotary Motor-Protective Circuit Breakers

| Catalog Number | H x W x D |
|--|---|
| Global and North American Usage | |
| XTPAXENCSD65B | 240 x 160 x 197 [9.45 x 6.30 x 7.76] |
| XTPAXENCSD65RY | 240 x 160 x 197 [9.45 x 6.30 x 7.76] |

Insulated Enclosures for Flush Mounting**XTPB Pushbutton Manual Motor Protectors**

| Catalog Number | H x W x D |
|--|--|
| Global and North American Usage | |
| XTPBXENC40 | 129 x 90.2 x 115.2 [5.08 x 3.55 x 4.54] |
| XTPBXENC55 | 129 x 90.2 x 115.2 [5.08 x 3.55 x 4.54] |
| XTPBXENC5FLO55 | 129 x 90.2 x 115.2 [5.08 x 3.55 x 4.54] |
| XTPBXENC5FLE55 | 129 x 90.2 x 115.2 [5.08 x 3.55 x 4.54] |
| XTPBXENC5FES55 | 129 x 90.2 x 175.9 [5.08 x 3.55 x 6.93] |
| XTPBXENC5FEK55 | 129 x 90.2 x 175.9 [5.08 x 3.55 x 6.93] |

Frame B (0.1–32A) XTPR Rotary Manual Motor Protectors

| Catalog Number | H x W x D |
|---------------------|--|
| Global Usage | |
| XTPAXENC40 | 129 x 85 x 96 [5.08 x 3.35 x 3.78] |
| XTPAXENC55B | 129 x 85 x 124 [5.08 x 3.35 x 4.88] |
| XTPAXENC55RY | 129 x 85 x 124 [5.08 x 3.35 x 4.88] |