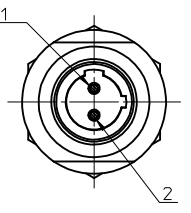
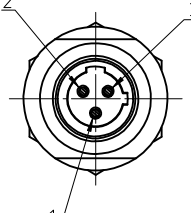
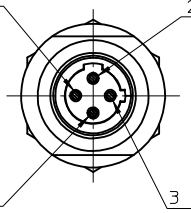
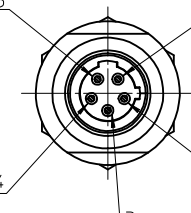
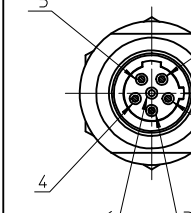
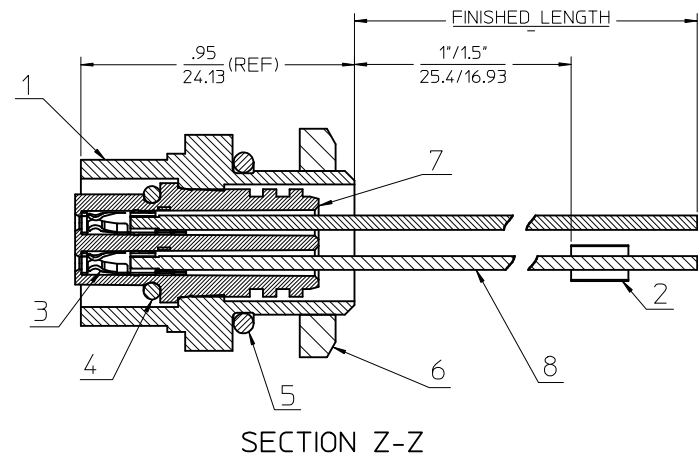
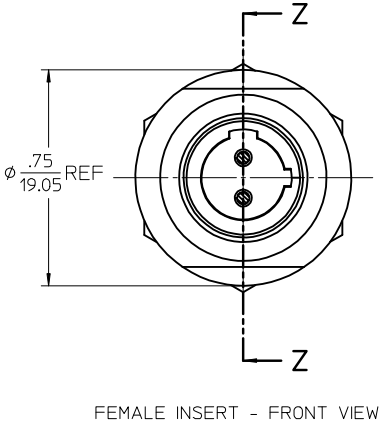


FACE VIEW - FEMALE INSERT SCALE 2 : 1

				
<p>1 BROWN 2 BLUE</p>	<p>1 GREEN 2 RED/BLACK 3 RED/WHITE</p>	<p>1 RED/BLACK 2 RED/WHITE 3 RED 4 GREEN</p>	<p>1 RED/WHITE 2 RED 3 GREEN 4 RED/YELLOW 5 RED/BLACK</p>	<p>1 RED/WHITE 2 RED 3 GREEN 4 RED/YELLOW 5 RED/BLACK 6 RED/BLUE</p>



FINAL ASSEMBLY
1200740014 (SHOWN)

ENTER DESCRIPTION EC NO: MNA2010-0078 DRAWN BY: DRWINAKUMAR01 CHKD: 2009/08/27 APPR: JFMURPHY DATE: 2009/08/28	QUALITY SYMBOLS ▽=0 ▽=0	GENERAL TOLERANCES (UNLESS SPECIFIED)		DIMENSION STYLE IN/MM	SCALE 2:1	DESIGN UNITS INCH	THIRD ANGLE PROJECTION
		mm INCH	DRAWN BY: NKUMAR01 DATE: 25/08/09	TITLE MIC 2P F/FR 12IN. 1/4NPT #22 P			
		4 PLACES ± --- ± --- 3 PLACES ± --- ± --- 2 PLACES ± --- ± --- 1 PLACE ± --- ± ---	CHECKED BY: BWOODMAN DATE: 25/08/09				
		ANGULAR ±1/2°				APPROVED BY: JFMURPHY DATE: 2009/08/27	
DRAFT WHERE APPLICABLE MUST REMAIN WITHIN DIMENSIONS	SEE SHEET 2		MATERIAL NO. DOCUMENT NO.		MOLEX INCORPORATED		SHEET NO. 1 OF 2
THIS DRAWING CONTAINS INFORMATION THAT IS PROPRIETARY TO MOLEX INCORPORATED AND SHOULD NOT BE USED WITHOUT WRITTEN PERMISSION							

FEMALE RECEPTACLE ASSEMBLY

Sl. No.	DESCRIPTION	QUANTITY				
		2 POLE	3 POLE	4 POLE	5 POLE	6 POLE
1	MIC RCPT SHELL FEM 1/4INNPT GRY	1	1	1	1	1
2	LABEL,SELF L.YELLOW(2.25X.75IN)	1	1	1	1	1
3	MIC SOCKET CONTACT - GOLD PLATED				5	6
	MIC SOCKET CONTACT - GOLD PLATED	2	3	4		
4	O-RING.276 ID X .059 THK RED	1	1	1	1	1
5	O-RING .489 ID X .070 THK	1	1	1	1	1
6	#1/4-18IN NPS LOCKNUT	1	1	1	1	1
7	MIC 2P FI (NYLON) PLAIN	1				
	MIC 3P FI (NYLON) PLAIN		1			
	MIC 4P FI (NYLON) PLAIN			1		
	MIC 5P FI (NYLON) PLAIN				1	
	MIC 6P FI (NYLON) PLAIN					1
8	#22-1 BLU PVC WIRE UL1061	1				
	#22-1 GRN PVC WIRE UL1061		1	1	1	1
	#22-1 BRN PVC WIRE UL1061	1				
	#22-1 RED PVC WIRE UL1061			1	1	1
	#22-1 RED/WHT PVC WIRE UL1061		1	1	1	1
	#22-1 RED/BLK PVC WIRE UL1061		1	1	1	1
	#22-1 RED/BLU PVC WIRE UL1061					1
	#22-1 RED/YEL PVC WIRE UL1061				1	1

PART NUMBER	DESCRIPTION	FINISHED LENGTH
1200740014	7R2A00A19A120	12.0" +.75" -0 [0.3M +19.1MM -0]
1200740058	7R3A00A19A120	12.0" +.75" -0 [0.3M +19.1MM -0]
1200740122	7R4A00A19A120	12.0" +.75" -0 [0.3M +19.1MM -0]
1200740178	7R5A00A19A120	12.0" +.75" -0 [0.3M +19.1MM -0]
1200740232	7R6A00A19A120	12.0" +.75" -0 [0.3M +19.1MM -0]

ENTER DESCRIPTION EC NO: MNA2010-0078 DRAWN BY: DRWINAKUMAR01 2009/08/25 CHKD: 2009/08/27 APPR: JFMURPHY 2009/08/28 REV: A	QUALITY SYMBOLS 	GENERAL TOLERANCES (UNLESS SPECIFIED)		DIMENSION STYLE IN/MM	SCALE 2:1	DESIGN UNITS INCH	THIRD ANGLE PROJECTION		
		4 PLACES ± --- ± --- 3 PLACES ± --- ± --- 2 PLACES ± --- ± --- 1 PLACE ± --- ± ---	mm INCH ± --- ± --- ± --- ± --- ± --- ± --- ± --- ± ---	DRAWN BY NKUMAR01	DATE 25/08/09	TITLE MIC 2P F/FR 12IN. 1/4NPT #22 P			
		ANGULAR ±1/2°		CHECKED BY BWOODMAN	DATE 25/08/09	APPROVED BY JFMURPHY			
		DRAFT WHERE APPLICABLE MUST REMAIN WITHIN DIMENSIONS		MATERIAL NO. SEE CHART		DOCUMENT NO. SD-120074-014		SHEET NO. 2 OF 2	