



RSCG060624

Industry Standards

UL 870

NEMA/EEMAC Types, 1 & 3R

 UL Files E32576

 CSA File LL66078

FEATURES-SPECIFICATIONS

Applications

Designed to protect wiring in outdoor installations against rain, sleet and snow, or indoors against dripping water.

Construction

- Through and cover fabricated from 16 gauge carbon steel or G-90 pre-galvanized steel 16 gauge
- Drip shield top and smooth seamless sides, front and back, prevent rain,

snow and sleet from entering the enclosure

- Embossed mounting holes are conveniently located on the back
- A slip-on removable cover is securely fastened with screws located along the bottom edge
- Knockouts are provided on bottom of enclosure

Finish

- ANSI-61 gray polyester powder inside and out over phosphatized surfaces or unpainted pre-galvanized steel

Accessories

- See pages J1-J19

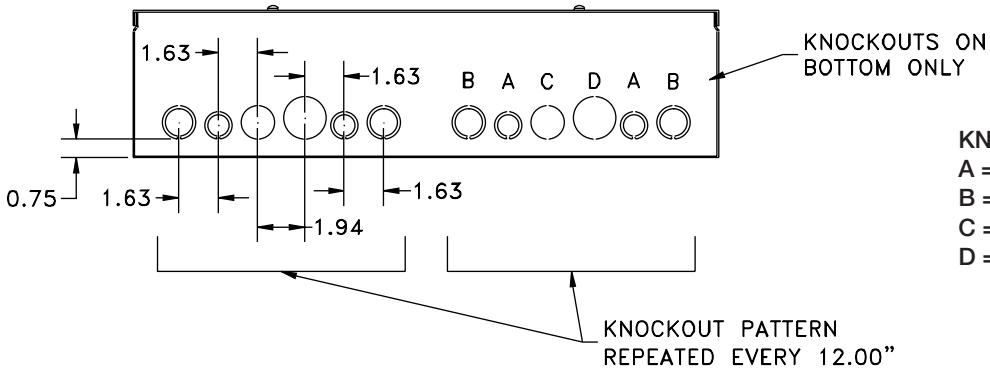
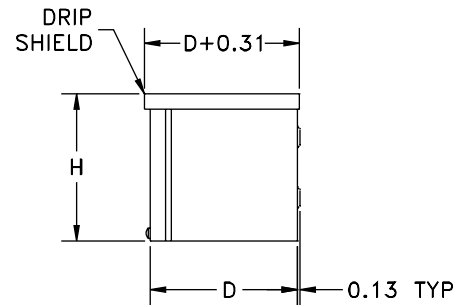
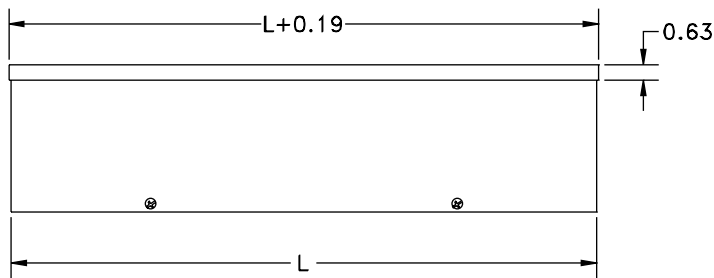
RSCG WALLMOUNT WIRING TROUGH

CATALOG NUMBER		BODY/DOOR STEEL GAUGE	ENCLOSURE SIZE H X D X L	KNOCKOUT PATTERN
PAINTED	GALVANIZED			
RSCG040412	RSCG040412G	16/16	4.06x4.06x12.13 (103x103x308)	B-A-C-D-A-B repeated
RSCG040424	RSCG040424G	16/16	4.06x4.06x24.13 (103x103x613)	B-A-C-D-A-B repeated
RSCG040436	RSCG040436G	16/16	4.06x4.06x36.13 (103x103x918)	B-A-C-D-A-B repeated
RSCG040448	RSCG040448G	16/16	4.06x4.06x48.13 (103x103x1222)	B-A-C-D-A-B repeated
RSCG040460	RSCG040460G	16/16	4.06x4.06x60.13 (103x103x1527)	B-A-C-D-A-B repeated
RSCG060612	RSCG060612G	16/16	6.06x6.06x12.13 (154x154x308)	B-A-C-D-A-B repeated
RSCG060624	RSCG060624G	16/16	6.06x6.06x24.13 (154x154x613)	B-A-C-D-A-B repeated
RSCG060636	RSCG060636G	16/16	6.06x6.06x36.13 (154x154x918)	B-A-C-D-A-B repeated
RSCG060648	RSCG060648G	16/16	6.06x6.06x48.13 (154x154x1222)	B-A-C-D-A-B repeated
RSCG060660	RSCG060660G	16/16	6.06x6.06x60.13 (154x154x1527)	B-A-C-D-A-B repeated
RSCG060672	RSCG060672G	16/16	6.06x6.06x72.13 (154x154x1832)	B-A-C-D-A-B repeated
RSCG080824	RSCG080824G	16/16	8.06x8.06x24.13 (205x205x613)	B-A-C-D-A-B repeated
RSCG080836	RSCG080836G	16/16	8.06x8.06x36.13 (205x205x918)	B-A-C-D-A-B repeated
RSCG080848	RSCG080848G	16/16	8.06x8.06x48.13 (205x205x1222)	B-A-C-D-A-B repeated
RSCG080860	RSCG080860G	16/16	8.06x8.06x60.13 (205x205x1527)	B-A-C-D-A-B repeated
RSCG080872	RSCG080872G	16/16	8.06x8.06x72.13 (205x205x1832)	B-A-C-D-A-B repeated



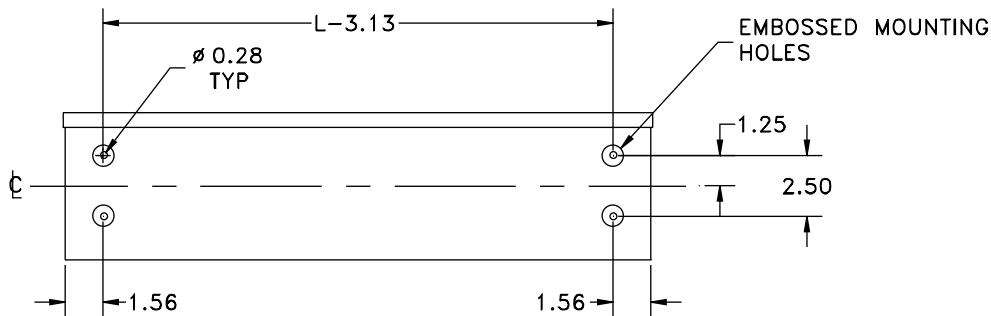
WIEGMANN

NOTE: Must specify CSA Label when ordering.



KNOCKOUT SIZES
 A = 1/2" TO 3/4" CONCENTRIC KO
 B = 3/4" TO 1" CONCENTRIC KO
 C = 1" SOLID KO
 D = 1-1/4" SOLID KO

KNOCKOUT PATTERN
 REPEATED EVERY 12.00"



REAR VIEW