

# Bulb Heaters Available with Exhaust Fan

NuTone Bulb Heaters are U.L. listed Type IC\*

## Provide silent, instant warmth!

All models provide silent, radiant warmth using 250W R-40 infrared heat lamps.

- Choose vented or non-vented in one or two-bulb models
- Torsion springs hold plates firmly to the ceiling
- Swivel-mounted unit
- Uses 4" duct
- All NuTone Heaters are U.L. Listed



**9427P Two-Bulb Heat-A-Vent®**  
Enjoy 500W silent, instant warmth and quiet ventilation. Provision for heat and light using one heat lamp and one incandescent lamp. Automatic reset thermal protection. Unit mounts easily in 2" x 8" joists

**9422P Two-Bulb Heat-A-Lamp®**  
500W silent, instant warmth. Provision for heat and light using one heat lamp and one incandescent lamp. Unit mounts in 2" x 6" joists. Automatic reset thermal protection

\* Type IC suitable for installation in direct contact with thermal insulation to meet certain building codes.



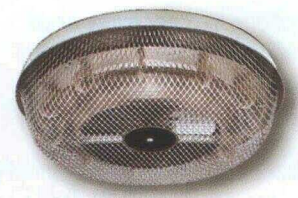
**9417DN One-Bulb Heat-A-Vent® (IC model)**  
250W radiant heat from one R-40 infrared heat lamp plus 70 CFM ventilation. Adjustable socket for ceilings up to 1" thick. Adjustable hanger bars. Features automatic reset for thermal protection

**9412D One-Bulb Heat-A-Lamp® (Non IC)**  
250W radiant heat from one R-40 infrared heat lamp. Adjustable socket for ceilings up to 1" thick. Adjustable hanger bars.

**H910W Surface-Mounted One-Bulb Heat-A-Lamp®**  
Swivel base lets you direct heat as desired. Swivels 21°. Easy to install. Mounts to standard junction box. Use either 250W R40 infrared heat lamp or R-40 type lamp for light only

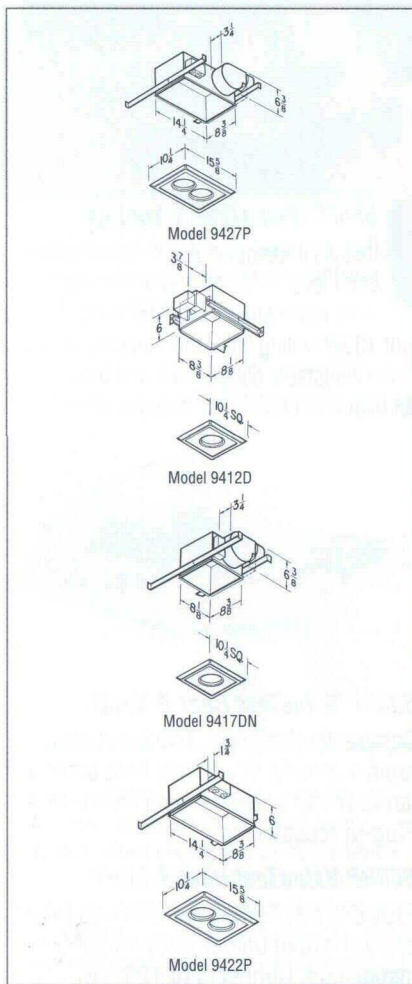
## Surface-Mounted Radiant Heaters

Easy surface-mounting installation puts these Radiant Heaters on the ceiling of bath, powder room or nursery ... out of the way, yet providing cozy warmth.



**9294T Surface-Mounted Radiant Heater**  
Mounts easily to 3" or 4" junction box, extends 3/4" from ceiling, 14 3/8" diameter

**9297T Surface-Mounted Radiant Heater**  
Same as 9294T except extends 3" from ceiling, 10 7/8" diameter



Model No.	Description	Finish	Housing Dimensions	Total Connected Load in Watts	Element Watts	Lamp Watts	Amps	Exhaust Motor Watts	Cooling Motor Watts	BTU	HVI Certified Test Data	
											Air Delivery (CFM)	Sound Level (Sones)
H910W	Heat-A-Lamp - 1 bulb	White Enamel	Surface-mounted	250	-	250	2.1	-	-	853	-	-
9412D	Heat-A-Lamp (non-IC)	White Polymeric	9 1/2" sq. x 5 1/2"	250	-	250	2.1	-	-	853	-	-
9417DN	Heat-A-Vent - 1 bulb	White Polymeric	12 1/2" x 10" x 6 1/2"	310	-	250	2.6	60	-	853	70	4.0
9422P	Heat-A-Lamp - 2 bulb	White Polymeric	14 1/2" x 7 1/2" x 5 1/2"	515	-	500	4.6	-	15	1706	-	-
9427P	Heat-A-Vent - 2 bulb	White Polymeric	15 1/2" x 10 1/2" x 6 1/2"	560	-	500	5.0	60	-	1706	70	4.0
9294T	Radiant Ceiling Heater	White	Surface-mounted	1265	1250	-	10.6	-	15	4265	-	-
9297T	Radiant Ceiling Heater	White	Surface-mounted	1265	1250	-	10.6	-	15	4265	-	-



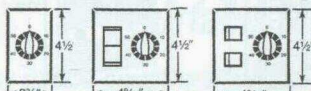
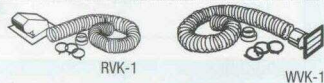
# NuTone Heater Selection Chart

Model No.	Description	Finish	Housing Dimensions	Fan-Forced or Radiant Heat	Total Connected Load in Watts	Element Watts	Lamp Watts	Exhaust Motor Watts	Htg. Motor Watts	Cooling Motor Watts	BTU	HVI Certified Test Data Air Delivery (CFM)	Sound Level (Sones)
<b>Built-In Ceiling Heaters</b>													
605RP	Heat-A-Vent	White Polymeric	14" x 7" x 5"	FF	1620	1500	-	60	60	-	5118	70	4.0
660RP	Heat-A-Lite	White Polymeric	14" x 7" x 5"	FF	1660	1500	100	-	60	-	5118	-	-
665RP	Heat-A-Ventlite	White Polymeric	14" x 7" x 5"	FF	1720	1500	100	60	60	-	5118	70	4.0
665RSP	Heat-A-Ventlite	White Polymeric	14" x 7" x 5"	FF	1720	1500	100	60	60	-	5118	70	4.0
665RF	Heat-A-Ventlite	White Polymeric	14" x 7" x 5"	FF	1633	1500	13	60	60	-	5118	70	4.0
9013NL	Heat-A-Lite	Chrome	13" dia. x 7"	FF	1662	1500	100/7	-	55	-	5118	-	-
QT-9093BR		Polished Brass											
QT-9093CH	Heat-A-Ventlite-QT	Chrome	13" x 18" x 7"	FF	1717	1500	100/7	55	55	-	5118	110	2.5
QT-9093WH		White Enamel											
9093BR		Polished Brass											
9093CH	Heat-A-Ventlite-Deluxe	Chrome	13" dia. x 7"	FF	1717	1500	100/7	55	55	-	5118	70	3.5
9093WH		White Enamel											
9093FWH	Heat-A-Ventlite-Deluxe	White Enamel	13" dia. x 7"	FF	1680	1500	26/7	55	55	-	5118	70	3.5
9412D	Heat-A-Lamp - 1 bulb	White Polymeric	9" sq. x 5"	R	250	-	250	-	-	-	853	-	-
9417DN	Heat-A-Vent - 1 bulb	White Polymeric	12" x 10" x 6"	R	310	-	250	60	-	-	853	70	4.0
9422P	Heat-A-Lamp - 2 bulb	White Polymeric	14" x 7" x 5"	R	515	-	500	-	-	15	1706	-	-
9427P	Heat-A-Vent - 2 bulb	White Polymeric	15" x 11" x 7"	R	560	-	500	60	-	-	1706	70	4.0
9905	Heat-A-Vent	White Polymeric	14" x 9" x 7"	FF	1620	1500	-	60	60	-	5118	70	4.0
9960	Heat-A-Lite	White Polymeric	14" x 9" x 7"	FF	1667	1500	100/7	-	60	-	5118	-	-
9965	Heat-A-Ventlite	White Polymeric	14" x 9" x 7"	FF	1727	1500	100/7	60	60	-	5118	70	4.0
9965F	Fluorescent Heat-A-Ventlite	White Polymeric	14" x 9" x 7"	FF	1690	1500	26/7	60	60	-	5118	70	4.0
<b>Surface-Mounted Ceiling Heaters</b>													
H910W	Heat-A-Lamp - 1 bulb	White Enamel	Surface-mounted	R	250	-	250	-	-	-	853	-	-
9294T	Radiant Ceiling Heater	White	Surface-mounted	R	1265	1250	-	-	-	15	4265	-	-
9297T	Radiant Ceiling Heater	White	Surface-mounted	R	1265	1250	-	-	-	15	4265	-	-
<b>'Kickspace' Heaters</b>													
9112NT - with built-in thermostat	Kickspace Heater	White	18" x 12" x 3"	FF FF FF FF	1550 800 1200 1550	1500 750 1125 1500*	-	-	50	-	5120 2560 3840 5120	-	-
9114NT - without built-in thermostat	Kickspace Heater	White	18" x 12" x 3"	FF FF FF FF	1550 800 1200 1550	1500 750 1125 1500*	-	-	50	-	5120 2560 3840 5120	-	-
<b>Wall Heaters</b>													
9315T	'Register Heater'	Almond	11" x 8" x 3"	FF	800/1550	750/1500	-	-	50	-	2560/5120	-	-
9315XT*	'Register Heater'	Almond	11" x 8" x 3"	FF	800/1550	750/1500	-	-	50	-	2560/5120	-	-
9356	Wall Heater	Aluminum	10" x 16" x 3"	R	1200	1200	-	-	-	-	4095	-	-
9358	Wall Heater	Aluminum	10" x 16" x 3"	R	1500	1500	-	-	-	-	5120	-	-
9376N	Wall Heater	Aluminum	8" x 12" x 4"	FF	1265	1250	-	-	15	-	4267	-	-
9810BWN**	Wall Heater	Brown Polymeric	10" x 12" x 3"	FF	1050	1000	-	-	50	-	3413	-	-
9810WH**	Wall Heater	White Polymeric	10" x 12" x 3"	FF	1050	1000	-	-	50	-	3413	-	-
9815BWN**	Wall Heater	Brown Polymeric	10" x 12" x 3"	FF	1550	1500	-	-	50	-	5120	-	-
9815WH**	Wall Heater	White Polymeric	10" x 12" x 3"	FF	1550	1500	-	-	50	-	5120	-	-
9819BWN**	Wall Heater	Brown Polymeric	10" x 12" x 3"	FF	1970	1920	-	-	50	-	6554	-	-
9819WH**	Wall Heater	White Polymeric	10" x 12" x 3"	FF	1970	1920	-	-	50	-	6554	-	-
9192NT	Wall Heater	White	14" x 18" x 3"	FF	825/1575	750/1500	-	-	75	-	2560/5120	-	-
			24"	FF	1075/2075	1000/2000*	-	-	75	-	3413/6827	-	-
9194NT	Wall Heater	White	14" x 18" x 3"	FF	1200/1325	1125/1250	-	-	75	-	3840/4267	-	-
			24"	FF	1575/3075	1500/3000*	-	-	75	-	5120/10240	-	-
9198NT	Wall Heater	White	14" x 18" x 3"	FF	1540/3040	1500/3000	-	-	40	-	5120/10240	-	-
				FF	2040/4040	2000/4000*	-	-	40	-	6827/13653	-	-

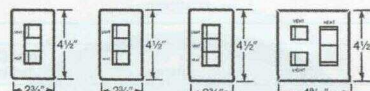
\*Factory wired for this wattage/voltage. Field convertible to other options listed \*\*9810, 9815 and 9819 Series are dual voltage

## Heater Accessories

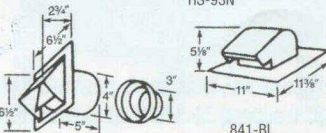
- 841-BL** Roof Cap with weather louver for up to 4" dia. ducts. Baked enamel finish on galvanized steel, black.
- 841-AL and 841-BL** Aluminum Roof Cap with weather louver for duct sizes up to 4" in diameter, aluminum or black.
- 885-BL** Wall Cap with spring-operated weather louver and transition. Uses 3" or 4" round duct. Baked enamel on galvanized steel, black.
- 885-AL** Aluminum Wall Cap with weather louver and transition. Uses 3" or 4" round duct.
- RVK-1** Complete kit designed to vent kitchen or bath exhaust fan through a slanted roof. Works with both 3" and 4" ducted units; 8 ft. flexible hose.
- VVK-1** Complete kit for venting a kitchen or bath exhaust fan through a wall. Works with both 3" and 4" ducted units; 5 ft. flexible hose.



VS-62WH VS-63WH VS-66WH VS-68WH VS-67WH VS-69WH



HS-91SN HS-92SN HS-93\*\* HS-94SN



885-BL 885-AL 841-BL 841-AL

## Heater Switches

- VS-62WH 60-Minute Time Switch used to control heating cycle for all NuTone Heaters. White finish.
- VS-63WH 15-Minute Time Switch used to control heating cycle for all NuTone Heaters. White finish.
- VS-66WH 60-Minute Time Switch with 1 on-off switch. White finish.
- VS-67WH 60-Minute Time Switch with 2 on-off switches. White finish.
- VS-68WH 15-Minute Time Switch with 1 on-off switch. White finish.
- VS-69WH 15-Minute Time Switch with 2 on-off switches. White finish.
- HS-91SN Switch with 2 on-off switches for vent, heat. White finish.
- HS-92SN Switch with 2 on-off switches for light, heat. White finish.
- HS-93 Switch with 3 on-off switches for light, vent, heat. White. Not for use with 9427. (For two gang box). HS-93IV - Ivory White
- HS-94SN Switch with 3 on-off switches for light, vent, heat. White finish.
- †For 2-gang wall outlet box.
- \*\*Use with adapter plate (not furnished)

### NuTone Fans Are Rated by Sones and CFM

- A **sones** is an internationally recognized unit of loudness which tells in a single number the total sound output of the device being tested. One Sone, for example, is equivalent to the sound of a modern refrigerator operating in a quiet kitchen.
- CFM** = Cubic Feet per Minute of air movement

### HVI Certified

NuTone Fans are tested and certified to deliver the number of air changes per hour recommended by the Home Ventilating Institute (HVI). This insures a fresher atmosphere throughout your home, exhausting the heat, smoke, humidity, odors and other airborne contaminants.

For the name of your NuTone Distributor or nearest Service Center, visit our web site at [www.nutone.com](http://www.nutone.com) or call 1-800-543-8687.

# NuTone®

Madison and Red Bank Roads  
Cincinnati, Ohio 45227-1599

Form V-300h, printed in U.S.A. - Rev. 3/00

Product specifications subject to change without notice.