

Enclosed manual motor starter
With RUN light and HOA

Packaged solution for single-phase small motor applications



The enclosed manual motor starter is a cost-effective solution offering local and remote control capability, overload protection, and running light indication on small single-phase motor applications for 10% less than competitive devices.

Features

- Hand/Auto switch allows starter control locally or from a remote source such as a building
- Keyed heater packs ensure proper positioning
- Ease of installation and wiring
- Trip-free handle can be locked in the OFF position with optional handle guard accessory (MSLG)
- Red RUN pilot light provides indication status

Resources

- Catalog number: MST02RN1PH
- Volume 5, Tab 3.1—NEMA Manual Starters
- www.eaton.com/mmshoa

Applications

- HVAC
- Commercial construction
- Exhaust fans

Specifications

- 1 hp at 120/240 V, single-phase
- 0.40–16 FLA
- NEMA® Type 1 enclosure

Standards and certifications

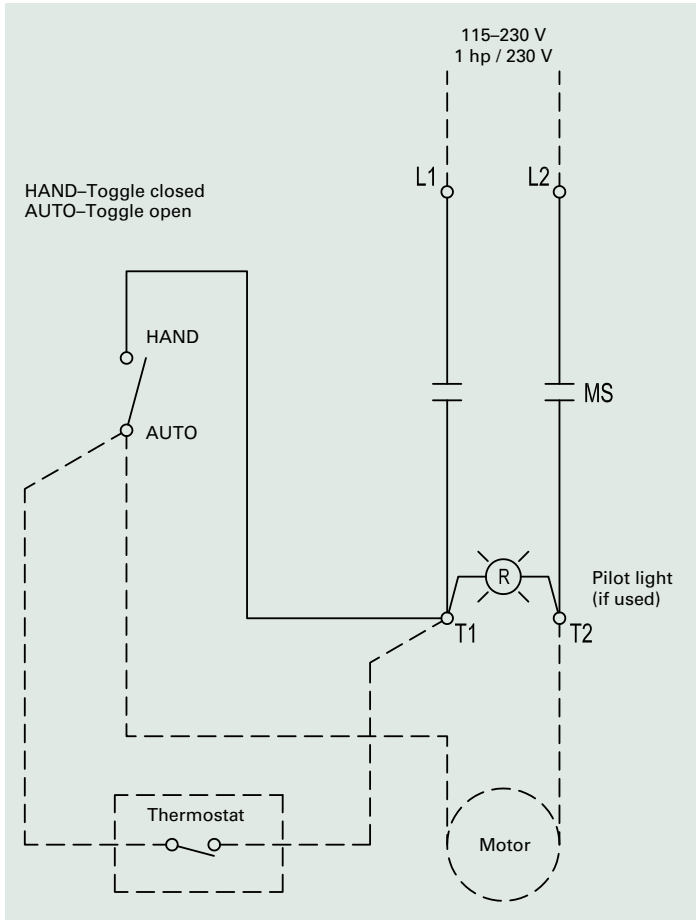
- UL® 60967-4-1



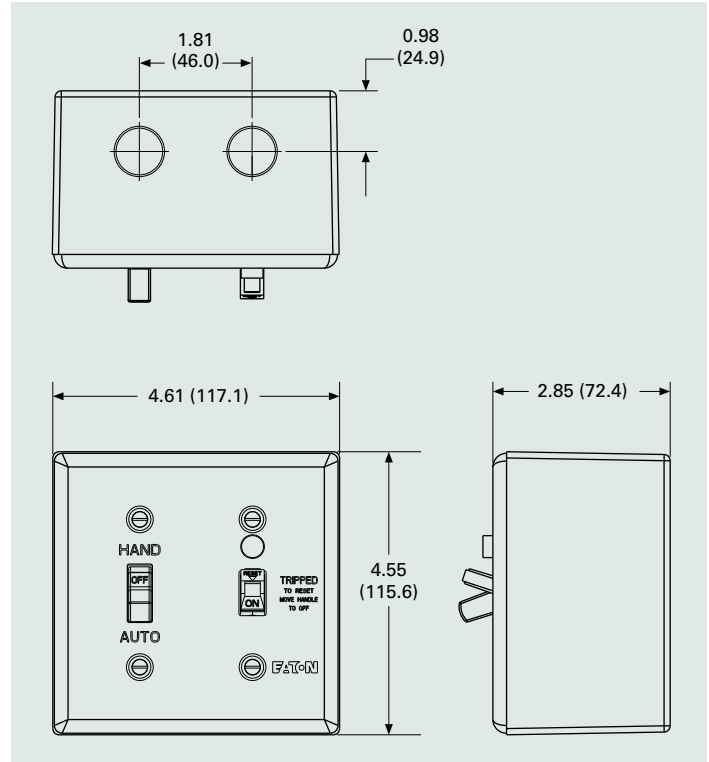
EATON

Powering Business Worldwide

Wiring diagram



Dimensions in inches (mm)



Eaton
1000 Eaton Boulevard
Cleveland, OH 44122
United States
Eaton.com

© 2016 Eaton
All Rights Reserved
Printed in USA
Publication No. PA038001EN / Z18227
May 2016

EATON
Powering Business Worldwide

Eaton is a registered trademark.

All other trademarks are property
of their respective owners.

Follow us on social media to get the
latest product and support information.

