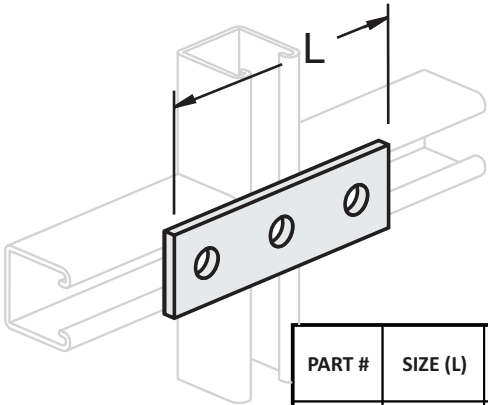


# FLAT PLATE FITTINGS

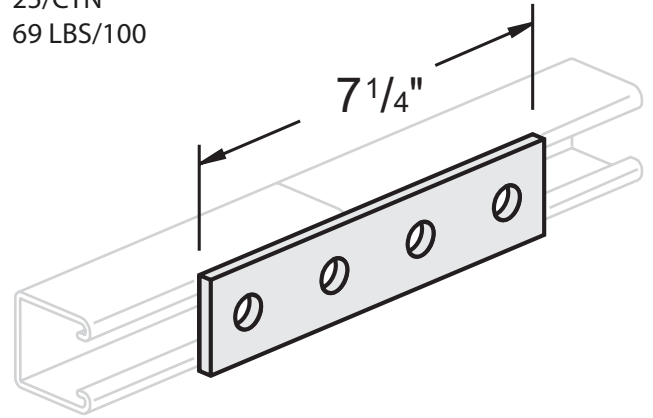
## 3 HOLE SPLICE PLATE



PART #	SIZE (L)	CARTON QTY.	LBS./100pcs
G206	5-3/8"	50	58
G2061	4-7/8"	20	50

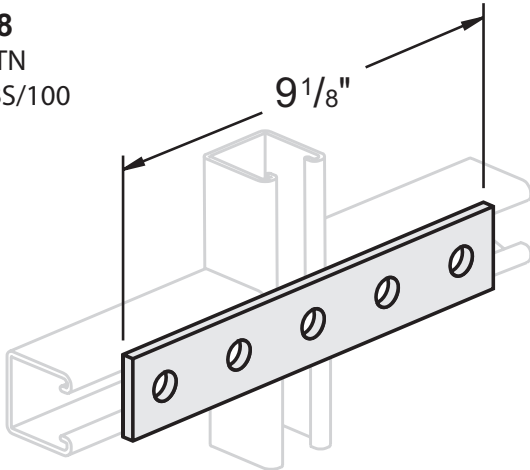
## 4 HOLE SPLICE PLATE

**G205**  
25/CTN  
69 LBS/100



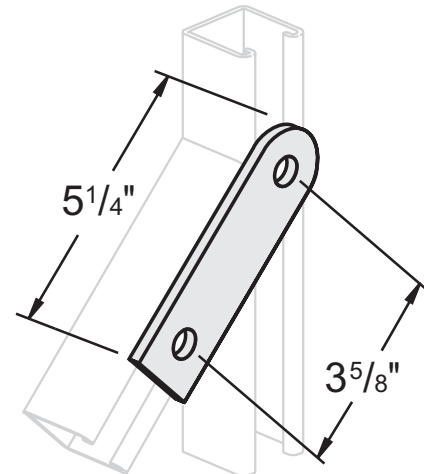
## 5 HOLE CONNECTOR PLATE

**G208**  
25/CTN  
95 LBS/100



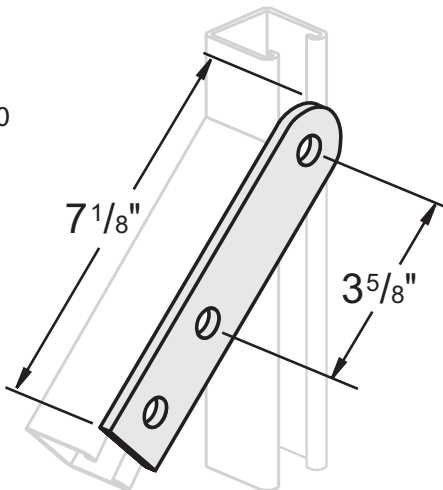
## 2 HOLE SWIVEL PLATE

**G2071**  
25/CTN  
49 LBS/100



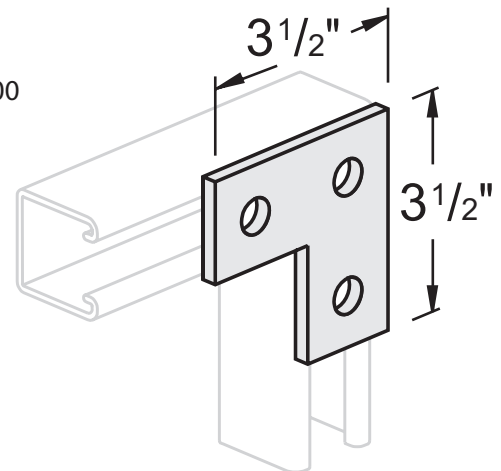
## 3 HOLE SWIVEL PLATE

**G207**  
25/CTN  
76 LBS/100



## 3 HOLE FLAT ANGLE PLATE

**G210**  
50/CTN  
50 LBS/100



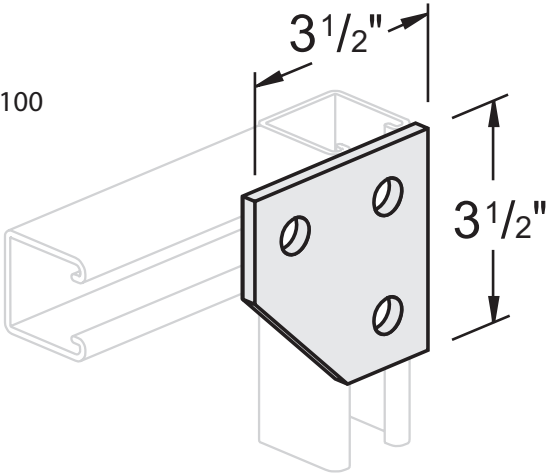
\* MATERIAL IS 1-5/8" WIDE x 1/4" THICK UNLESS SPECIFIED • HOLES ARE 9/16" DIAMETER UNLESS SPECIFIED \*

# FLAT PLATE FITTINGS

Fittings & Accessories

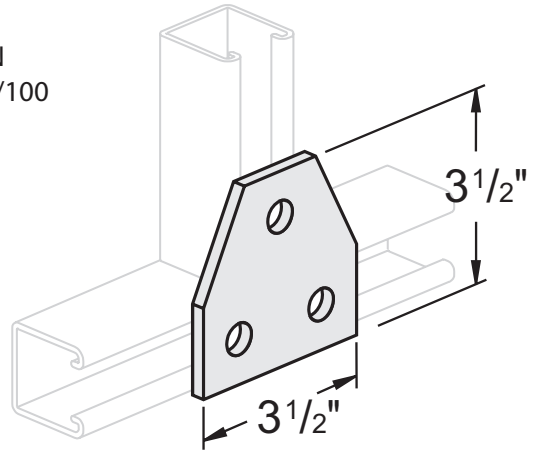
**3 HOLE CORNER CONNECTOR**

**G211**  
25/CTN  
70 LBS/100



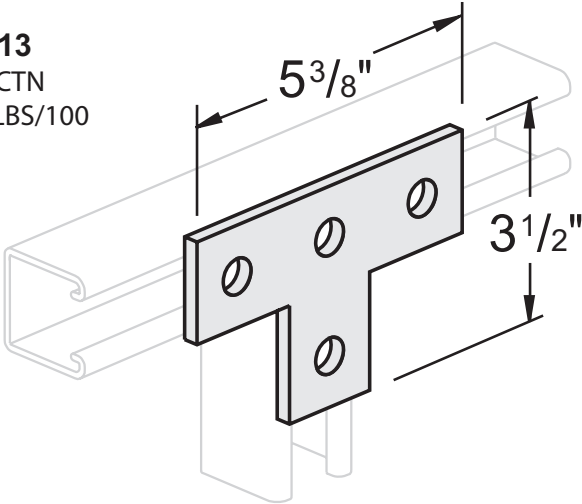
**3 HOLE CONNECTOR PLATE**

**G212**  
50/CTN  
70 LBS/100



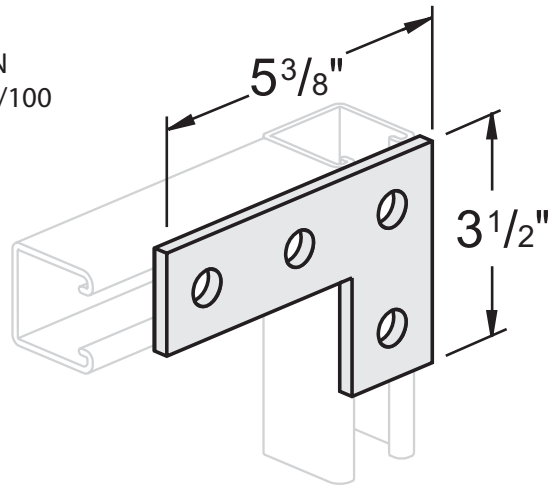
**4 HOLE TEE PLATE**

**G213**  
25/CTN  
66 LBS/100



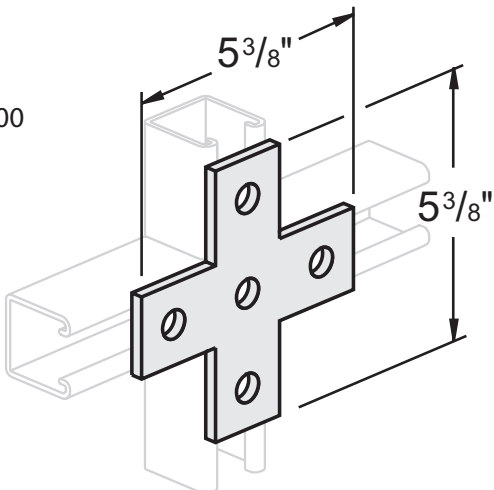
**4 HOLE CORNER JOINER PLATE**

**G214**  
20/CTN  
69 LBS/100



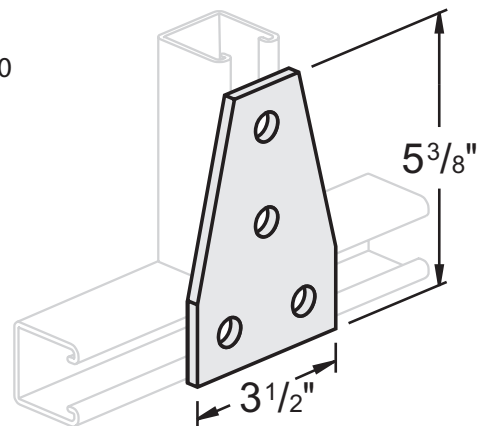
**5 HOLE CROSS PLATE**

**G216**  
25/CTN  
90 LBS/100



**4 HOLE CONNECTOR PLATE**

**G217**  
25/CTN  
93 LBS/100



\* MATERIAL IS 1-5/8" WIDE x 1/4" THICK UNLESS SPECIFIED • HOLES ARE 9/16" DIAMETER UNLESS SPECIFIED \*

Catalog No.	Product Description	Wt. per 100'	Cat Pg. #	LIST PRICE (per piece)
GFDW025	Fender Washers	3.0	25	\$ 8.00
GFDW037		3.0	25	10.00
GFDW050		3.0	25	20.00
GHN025	Hex nuts	.6	25	.15
GHN3125		1.2	25	.20
GHN375		1.6	25	.60
GHN050		4.8	25	1.20

Catalog No.	Product Description	Wt. per 100'	Cat Pg. #	LIST PRICE (per piece)
GFH062	Flat screw	1.2	26	\$ .10
GFH100		2.6	26	.10
GFH200		6.5	26	.10
GFH225		7.1	26	.10
GFH250		7.7	26	.10
GRH1075	Round screw	1.2	26	.10
GRH1100		1.5	26	.10
GRH1125		1.8	26	.10
GRH2100		2.6	26	.10
GRH2125		3	26	.10
GRH2150		3.5	26	.10
GRH3100		4.1	26	.10
GRH3025		4.7	26	.10
GRH3150		5.3	26	.10
GRH3250		7.7	26	.10
GSN025	Square nuts	.9	26	.25
GSN3125		16	26	.50
GSN375		2.7	26	.50
GSN050		5.8	26	.70
GAT025	All-thread rod	12	26	1.01/ft.
GAT037		30	26	1.18/ft.
GAT050		54	26	1.65/ft.
GAT062		85	26	3.31/ft.
GAT075		125	26	4.30/ft.
GRC025	Rod couplers	2	26	1.00
GRC037		11	26	1.00
GRC050		11	26	1.00
GRC062		16	26	3.00
GRC075		28	26	4.00

### Section 3 - Fittings & Accessories

Catalog No.	Product Description	Wt. per 100'	Cat Pg. #	LIST PRICE (per piece)	
G201025	Sq. washer	18	27	\$ .90	
G201031		18	27	.90	
G201037		18	27	.90	
G201050		17	27	.90	
G201062		16	27	.90	
G201075	Sq.w no turn	15	27	.90	
G202025		18	27	1.10	
G202031		18	27	1.10	
G202037		17	27	1.10	
G202050		17	27	1.10	
G202062		16	27	1.10	
G202075		16	27	1.10	
G2031		2 hole plate	50	27	1.96
G2032		2 hole splice	35	27	1.82

Catalog No.	Product Description	Wt. per 100'	Cat Pg. #	LIST PRICE (per piece)
G2033	Splice plt	34	27	\$ 1.82
G205	4 hole splice	76	27	3.36
G2051	4 hole splice	55	27	11.10
G206	3 hole splice	50	27	2.52
G2061	3 hole splice	50	27	2.52
G207	3 hole swivel	69	27	4.90
G2071	2 hole swivel	56	27	9.62
G208	5 hole splice	96	27	10.78
G210	3 hole flt plate	56	27	4.06

Catalog No.	Product Description	Wt. per 100'	Cat Pg. #	LIST PRICE (per piece)
G211	3 hole corner	70	29	\$ 5.46
G212	3 hole connect	70	29	4.55
G213	4 hole tee plt	75	29	4.76
G214	4 hole join plt	75	29	4.97
G216	5 hole crss plt	100	29	8.74
G217	4 hole connect	100	29	5.88
G218	4 hole connect	102	29	5.39
G219	5 hole connect	143	29	8.26
G2191	5 hole connect	145	29	9.10
G220	7 hole connect	232	29	20.65
G221	6 hole connect	149	29	12.95
G222	6 hole crss c.	166	29	19.95
G301	2 hole angle	37	29	2.31
G302	2 hole angle	37	29	2.31

Catalog No.	Product Description	Wt. per 100'	Cat Pg. #	LIST PRICE (per piece)
G3031	2 hole no twist	49	30	\$ 2.24
G3032		54	30	3.22
G3033		61	30	3.36
G304	2 hole no twist	39	30	4.20
G3051	3 hole bracket	57	30	4.06
G306	3 hole connect	58	30	2.94
G3061	1 hole angle	48	30	3.99
G3062		83	30	2.94
G3063		105	30	2.31
G3064		130	30	3.50
G3071	3 hole corner sh	72	30	6.10
G308	4 hole shelf	148	30	6.86
G309	4 hole join c.	105	30	7.00
G310	4 hole duplex	103	30	9.80
G311	4 hole angle	78	30	3.28
G3111	4 hole angle	76	30	3.28
G3112	4 hole angle	76	30	3.28
G312	4 hole bent tee	77	30	9.52
G313	5 hole duplex	135	30	20.50

Catalog No.	Product Description	Wt. per 100'	Cat Pg. #	LIST PRICE (per piece)
G314	5 hole joint	141	31	\$ 23.00
G315	Slotted joint c.	180	31	10.50
G3151		256	31	12.95
G3171		58	31	3.50
G3172		58	31	3.50
G3191	2 hole angle br	63	31	3.36
G3192		63	31	3.36