

KICK SPACE HEATER

Low rise fan forced heater that provides comfort for places where space is limited.

FEATURES

SINGLE MODEL OFFERS FLEXIBLE WATTAGE OUTPUT WITH VOLTAGE SELECTION

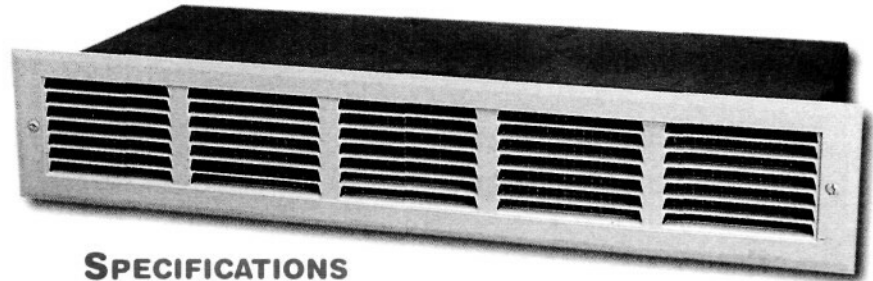
SUPERIOR FINNED TUBULAR ELEMENT DESIGN

AUTOMATIC RESET THERMAL CUTOUT

PILOT LIGHT FOR HI-LIMIT TRIP

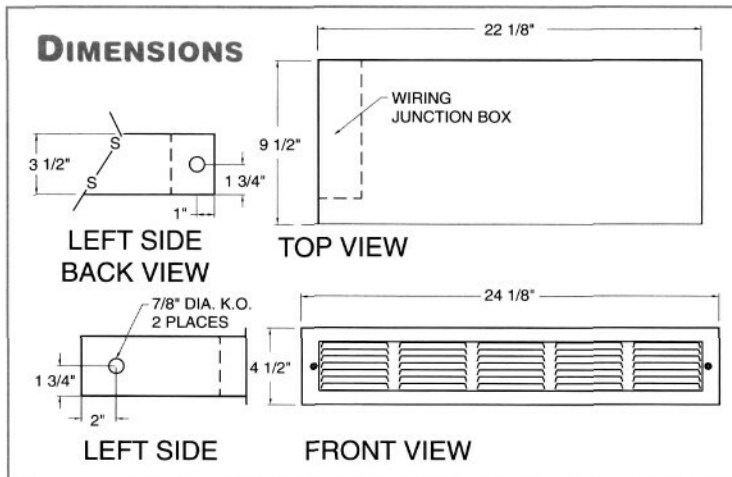
APPLICATIONS

KITCHEN OR BATHROOM UNDER-COUNTER, FLUSH MOUNTING, STAIR RISER



SPECIFICATIONS

- VOLTAGE** 120, 240/208 volts
- WATTAGE** Five sizes ranging from 450 to 1800W
- COLOR** Black or White
- AIR FLOW** 80 cfm
- FINISH** Specially formulated polyester powder coating process is applied to the front panel which resists fading and abrasion.
- CONSTRUCTION** The enclosure is constructed of 20 gauge steel. Horizontal mount only.
- HEATING ELEMENT** The Kick Space heater has four totally enclosed nickel chromium resistance elements with steel sheaths. The elements are complete with spiral steel fins that are brazed to the steel sheath to provide excellent heat transfer.
- CONTROLS & WIRING** The Kick Space heater is factory wired for 240/208V@900/675W and is field adjustable for 240/208V@1800/1300W, 120V@450, 900, 1350, or 1800W configuration. The unit is controllable from a line voltage wall thermostat or field installed built-in tamperproof single or double pole thermostat kit.
- WARRANTY** One year warranty on complete unit. UL listed.



ORDERING GUIDE

CAT. No.	WATTS	BTU	VOLTS	WEIGHT LBS.
CKHA20D31	450	1535	120	14
	900	3071	120	
	1350	4606	120	
	1800	6142	120	
	1800/1350	6142/4606	240/208	
	900/675	3071/2303	240/208	


Standard color is Black - Add "W" at the end of the cat. no. for White

CONTROL OPTIONS (FIELD INSTALLATION)

CAT. No.	DESCRIPTION
TAMPERPROOF THERMOSTAT KITS	
CKHATD13	Single Pole Thermostat
CKHATD23	Double Pole Thermostat

ELECTROMIDE

The Difference Is Built In



**COMMERCIAL
INDUSTRIAL
& RESIDENTIAL
ELECTRIC
HEATING
PRODUCTS**