



# DTK-120/240SA

## 100,000 Amp/Φ Surge Protection Device General Product Specifications

DITEK's 120/240SA Residential, Commercial and Light Industrial Surge Protection Device is a powerful first line of defense against voltage surges.

Its 100,000 Amp/Phase surge current rating provides strong protection at such outdoor locations as the utility meter, main disconnect or household service panel. It can be used for indoor or outdoor applications.

### DTK-120/240SA

#### Product Features

- Weatherproof enclosure
- Parallel connection
- Surface or flush mount capability
- Diagnostic LED provides positive indication of power, ground presence, and surge protection
- Automatically resets to handle multiple surge events
- Ten Year Limited Warranty

#### •Accessories:

Flush mount kit – order DTK-FMK



#### Specifications

**Agency Approvals:** UL 1449, 3<sup>rd</sup> Edition; cUL

**IEEE Location Category:** Category B and C

**Protector Type:** Type 1 SPD (US); Type 2 (Canada)

**Protection Modes:** L-G, L-L

**Temperature Range:** -40°F – 185°F (-40°C – 85°C)

**Maximum Humidity:** 95% non-condensing

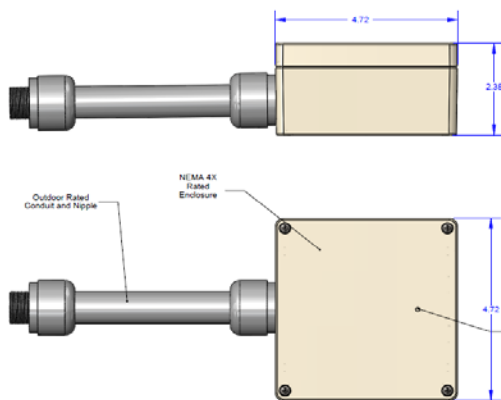
**Operating Frequency:** 0Hz – 400Hz

**Dimensions:** 4.7”H x 4.7”W x 2.4”D  
(119mm x 119mm x 61mm)

**Connection:** ½” NPT conduit, watertight fittings

**Weight:** 1.45lb. (657g)

**Housing:** NEMA 4X



	Service Wiring	Peak Surge Current	MCOV	UL 1449, 3 <sup>rd</sup> Ed. V.P.R.	Short Circuit Current Rating	UL1449, 3 <sup>rd</sup> Ed. I <sub>n</sub> Rating
<b>DTK-120/240SA</b>	Single Φ (2W + G), 120/240VAC	100,000A/phase 50,000A/mode	150/300V	600V L-G, 1,000V L-L	100,000A	20,000A

